



Palladio Georgian Classic Pillar Range

[HTTPS://WWW.DBESTWINDOWS.IE/](https://www.dbestwindows.ie/)

(01) 897 0777

UNIT 16, SEATOWN BUSINESS CAMPUS,
SEATOWN RD, GREENFIELDS, SWORDS,
CO. DUBLIN, K67 T209

P Palladio

Georgian Pillar Collection

*Introducing the
Palladio Georgian Classic Pillar Range.
These pillars will be a beautiful addition
to add style and grace to your home.
They are available throughout the country from
our suppliers. The Georgian Pillars are
available for
a single door or a door and 2 sidelights only
(please note not available with 1 sidelight)
all of our existing products are produced with the highest
quality materials, in this case its aluminium powder coated
and thermally broken.
It arrives at your home beautifully
packaged to be fitted by your installer.*

Design your new Door, Go to www.palladiodoorcollection.com

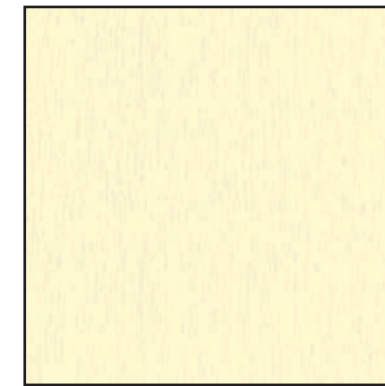


Profile Developments

Door & Frame Colours



White



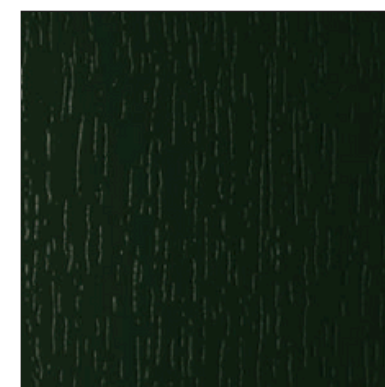
Cream



Agate Grey



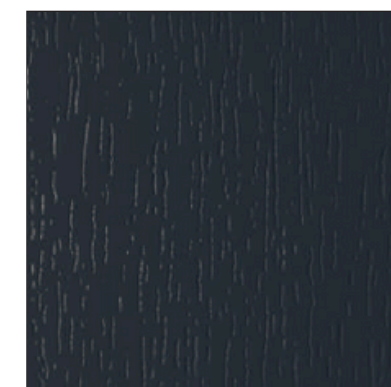
Chartwell Green



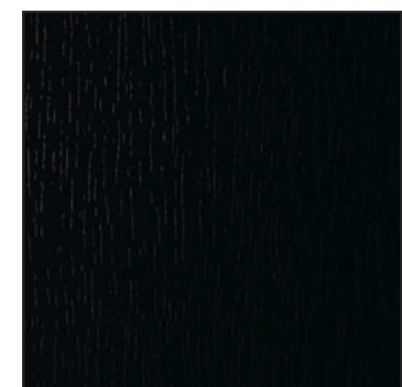
Green



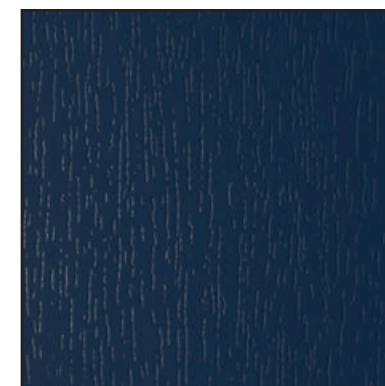
Silver Grey



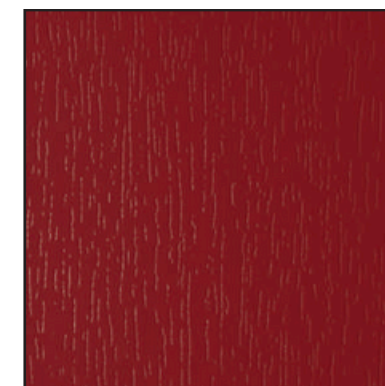
Anthracite Grey



Bog Oak



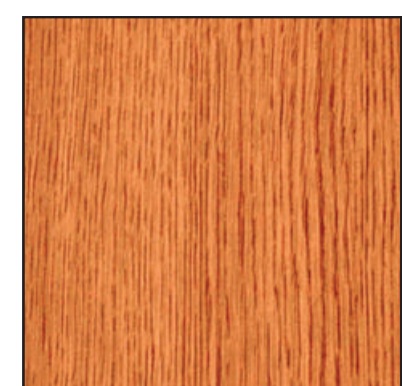
Blue



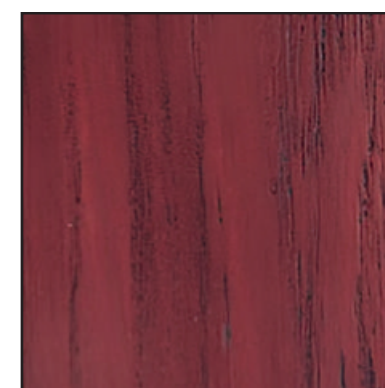
Red



Burgundy



Light Oak



Rosewood

Please note Georgian Pillars available in white only*

*Please note, owing to the photographic and printing process used, colour may vary from the printed brochure.
images shown are for illustrative purposes only. Actual product appearance and placement of furniture may vary*

Glass Type - TG6 Fanlight



Door Type - Georgian Solid Glass Type - TG5 (Min. Glass Width 360 mm) Colour Anthracite Grey

Doors fitted with a Heritage Slam Lock, it is recommended to have a PVC threshold or Storm Guard Plus rebated threshold only.
Please Note : Not a Storm Guard or a Storm Guard Plus Threshold.

Scan Me for all colours



①



Door Type - Georgian 1 Glass Type - TG7 (Min. Glass Width 210 mm) Colour Burgundy

Doors fitted with a Heritage Slam Lock, it is recommended to have a PVC threshold or Storm Guard Plus rebated threshold only.
Please Note : Not a Storm Guard or a Storm Guard Plus Threshold.

Scan Me for all colours



②



Glass Type - TG6 Fanlight



Scan Me for all colours



3

Door Type - Palermo Solid Glass Type - TG8 (Min. Glass Width 155mm) Colour Silver Grey

Doors fitted with a Heritage Slam Lock, it is recommended to have a PVC threshold or Storm Guard Plus rebated threshold only.
Please Note : Not a Storm Guard or a Storm Guard Plus Threshold.

Scan Me for all colours



4

Door Type - Georgian Solid Glass Type - TG8 (Min. Glass Width 155 mm) Colour Bog Oak

Doors fitted with a Heritage Slam Lock, it is recommended to have a PVC threshold or Storm Guard Plus rebated threshold only.
Please Note : Not a Storm Guard or a Storm Guard Plus Threshold.



Glass Type - TG6 Fulllight

Door Type - Palermo Glass Type - TG8 (Min. Glass Width 155 mm) Colour Chartwell Green

Doors fitted with a Heritage Slam Lock, it is recommended to have a PVC threshold or Storm Guard Plus rebated threshold only.
Please Note : Not a Storm Guard or a Storm Guard Plus Threshold.

Scan Me for
all colours





Scan Me for all colours



Door Type - Georgian 1 Glass Type - TG8 (Min. Glass Width 155 mm) Colour Red
Doors fitted with a Heritage Slam Lock, it is recommended to have a PVC threshold or Storm Guard Plus rebated threshold only.
Please Note : Not a Storm Guard or a Storm Guard Plus Threshold.



Glass Type - TG6 Fanlight

Door Type - PalermoSolid Glass Type - TG5 (Min. Glass Width 360 mm) Colour Bog Oak
Doors fitted with a Heritage Slam Lock, it is recommended to have a PVC threshold or Storm Guard Plus rebated threshold only.
Please Note : Not a Storm Guard or a Storm Guard Plus Threshold.

Scan Me for all colours





Glass Type - TG6 Fanlight

Scan Me for all colours



Door Type - Georgian Solid Glass Type - TG6 Colour Blue

Doors fitted with a Heritage Slam Lock, it is recommended to have a PVC threshold or Storm Guard Plus rebated threshold only.
Please Note : Not a Storm Guard or a Storm Guard Plus Threshold.



Door Type - PalermoSolid Glass Type - TG114 (Min. Glass Width 270 mm) Colour Green

Doors fitted with a Heritage Slam Lock, it is recommended to have a PVC threshold or Storm Guard Plus rebated threshold only.
Please Note : Not a Storm Guard or a Storm Guard Plus Threshold.

Scan Me for all colours





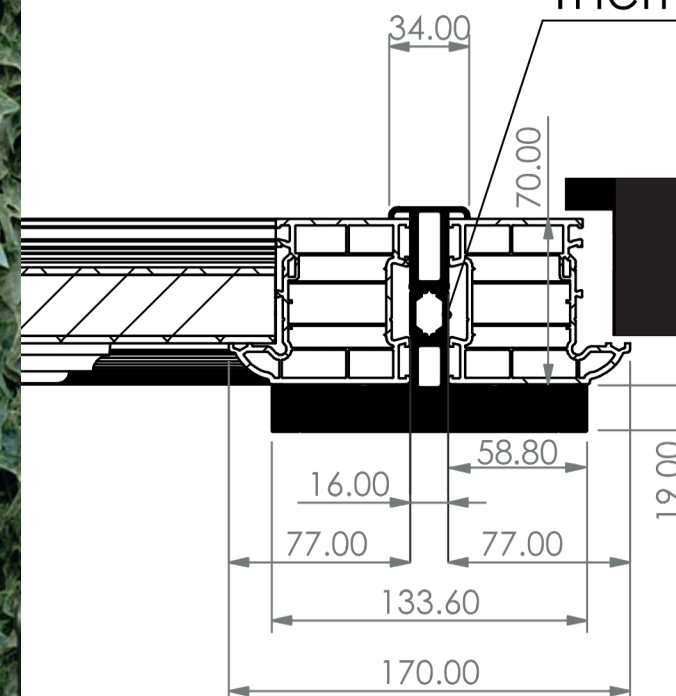
• Use as front page cover

Palladio Georgian Classic Pillar Range

Door With sidelights

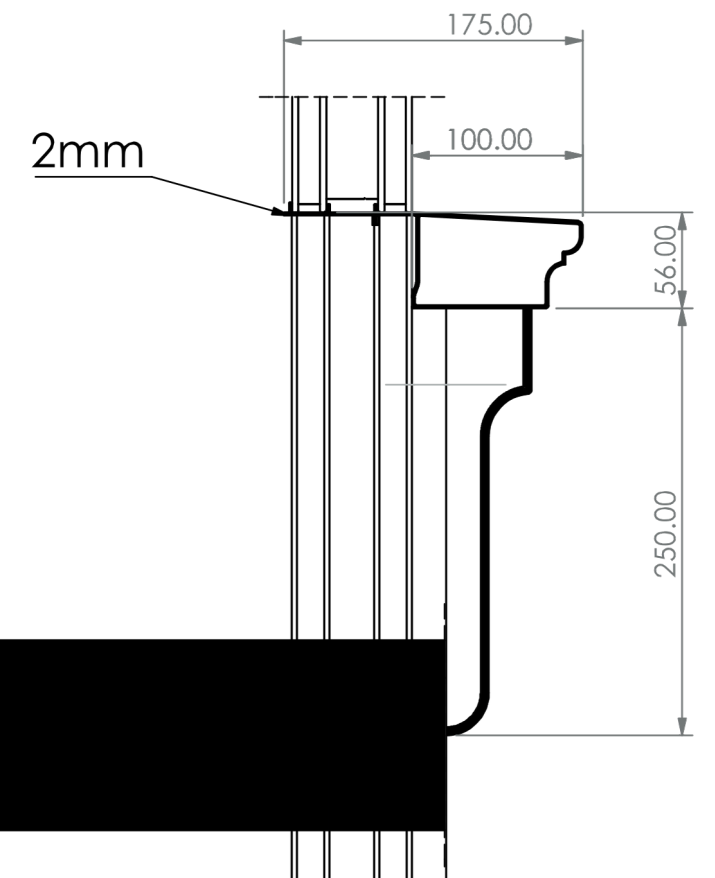
Thermal Break

Min door width for 2 sidelights:
 Min: 1378mm
 Max: 3606mm
 Min door height:
 With low Stormguard Plus threshold, max height 2183mm, min 1943mm
 With low Stormguard Plus rebated, max height 2164mm, min 1924mm
 With low Stormguard threshold, max height 2165mm, min 1925mm
 With 57mm uPVC threshold, max height 2173mm, min 1933mm



Side View of Canopy

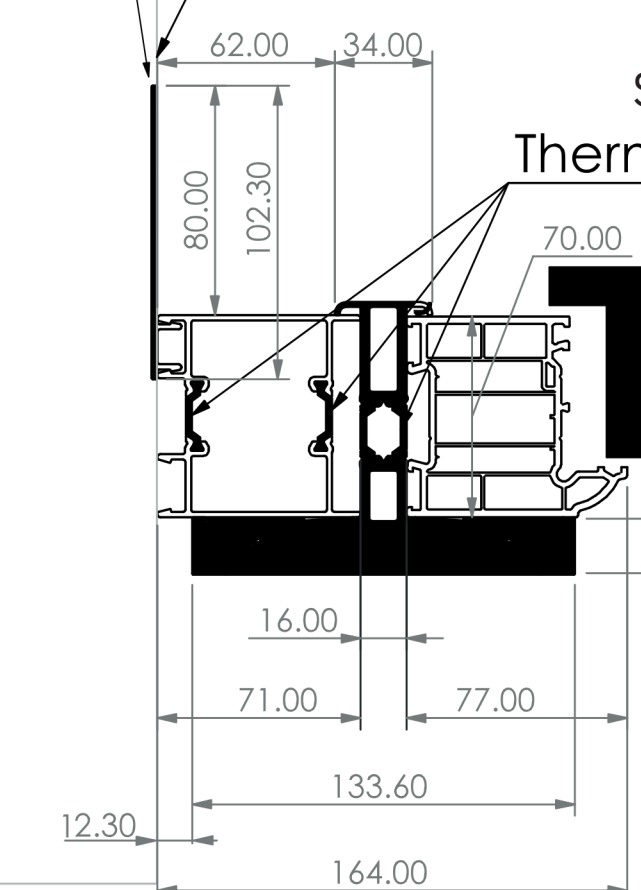
2mm



2mm

Wall Mount

Single Door Thermal break



Min door width for single door:
 Min: 1056mm
 Max: 1184mm
 Min door height:
 With low Stormguard Plus threshold, max height 2183mm, min 1943mm
 With low Stormguard Plus rebated, max height 2164mm, min 1924mm
 With low Stormguard threshold, max height 2165mm, min 1925mm
 With 57mm uPVC threshold, max height 2173mm, min 1933mm

Scan Me for all colours



Door Type - Georgian Solid Glass Type - TG8 (Min. Glass Width 155 mm) Colour Bog Oak

Doors fitted with a Heritage Slam Lock, it is recommended to have a PVC threshold or Storm Guard Plus rebated threshold only.
 Please Note : Not a Storm Guard or a Storm Guard Plus Threshold.

Scan Me for Technical updates



Please Note : Georgian Pillars supplied complete with Door and Sidelights frames only.